

1064 nm Polarization Maintaining Optical Circulator (DL-PMCIR-VV-W-X-Y-Z)

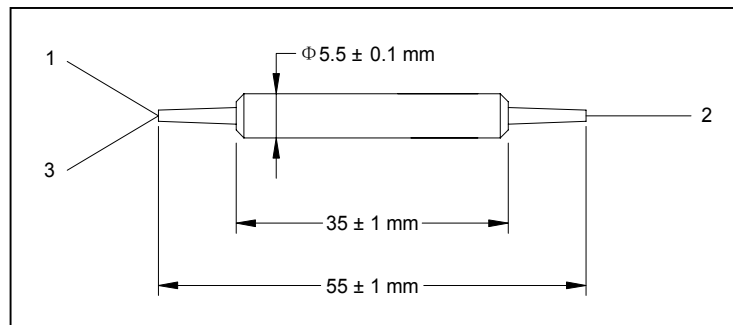
The 1064 nm Polarization Maintaining Optical Circulator is a versatile lightwave component that routes incoming signals from Port 1 to Port 2, and incoming Port 2 signals to Port 3. It provides high isolation, low insertion loss, high extinction ratio, and excellent environmental stability.

A. Specifications

Parameter	Type A	Type B	Unit
Center Wavelength (λ_c)	1064		nm
Max. Insertion Loss, λ_c , all temperature	4.0	2.1	dB
Typ. Isolation, λ_c , 23 °C	52	30	dB
Min. Isolation, λ_c , 23 °C	45	22	dB
Min. Extinction Ratio	20		dB
Min. Crosstalk	50		dB
Min. Return Loss	50		dB
Max. Optical Power (Continuous Wave)	300		mW
Operating Temperature	-5 to +50		°C
Storage Temperature	-40 to +85		°C

*IL is 0.5 dB higher, RL is 5 dB lower, and ER is 2 dB lower for each connector added. Connector key is aligned to slow axis.

B. Package Dimensions



C. Ordering Information

DL-PMCIR-VV-W-X-Y-Z

V V: Wavelength	X: Connector Type	Y: Fiber Type (PM 980)	Z: Fiber Length
06 - 1064 nm	1 - FC/UPC	B - 250 μ m Panda fiber	Q - 0.75 m
SS - Specify	2 - FC/APC	L - 900 μ m loose tube	S - Specify
	3 - SC/UPC	S - Specify	
	4 - SC/APC		
	N - None		

W: Type

1 - Type A

2 - Type B