

Bandpass Filter (DL-BF-WWWW-X-Y-Z)

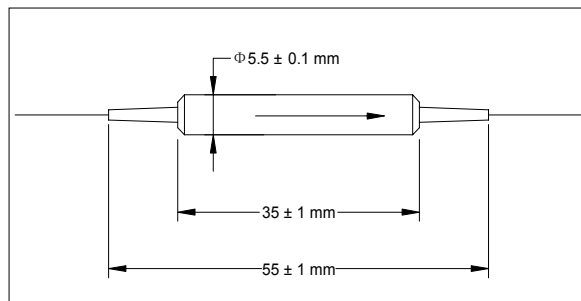
The Bandpass Filter is a device based on environmentally stable thin film filter technology and can be used to block out unwanted noise signals in EDFAs and fiber laser systems. The components are characterized with high isolation, low insertion loss, high return loss, excellent environmental stability and high power handling capability.

A. Specifications

Parameter	Value	Unit
Wavelength Range	1528 - 1565	nm
Max. Insertion Loss	0.7	dB
Min. Isolation @ wavelength < 1521 nm and > 1574 nm	12	dB
Min. Return Loss	50	dB
Max. Polarization Dependent Loss	0.10	dB
Thermal Stability	≤ 0.005	dB/°C
Thermal Wavelength Drift	≤ 0.003	nm/°C
Max. Optical Power (Continuous Wave)	300	mW
Operating Temperature	-5 to +70	°C
Storage Temperature	-40 to +85	°C

*IL is 0.3 dB higher, RL is 5 dB lower for each connector added.

B. Package Dimensions



C. Ordering Information

DL-BF-WWWW-X-Y-Z

WWWW: Wavelength 2865 - 1528 - 1565 nm	X: Connector Type 1 - FC/UPC 2 - FC/APC 3 - SC/UPC 4 - SC/APC N - None S - Specify	Y: Fiber Type (SMF-28) B - 250 μm bare fiber L - 900 μm loose tube S - Specify	Z: Fiber Length 1 - 1.0 m S - Specify
---	--	---	---