

C Band/L Band Filter Wavelength Division Multiplexer (DL-CLWDM-WWWW-X-Y-Z)

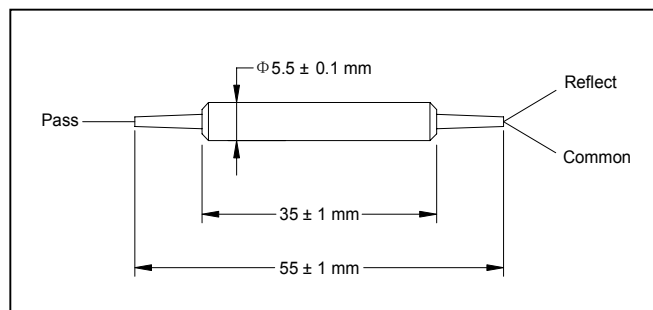
The C Band/L Band Filter Wavelength Division Multiplexer is used to combine or separate C band wavelength signals and L band wavelength signals in DWDM systems. It is based on environmentally stable thin film filter technology. It is characterized with wide passband, low insertion loss, high return loss, excellent environmental stability and high power handling capability.

A. Specifications

Parameter	Value	Unit
Pass Band	Wavelength Range	1530 - 1561 (1571 - 1605)
	Max. Insertion Loss	0.7
	Min. Isolation	22
Reflection Band	Wavelength Range	1571 - 1605 (1530 - 1561)
	Max. Insertion Loss	0.5
	Min. Isolation	12
Min. Return Loss	50	dB
Max. Polarization Dependent Loss	0.10	dB
Thermal Stability	0.005	dB/°C
Max. Optical Power	300	mW
Operating Temperature	-5 to +70	°C
Storage Temperature	-40 to +85	°C

*IL is 0.3 dB higher, RL is 5 dB lower for each connector added.

B. Package Dimensions



C. Ordering Information

DL-CLWDM-WWWW-X-Y-Z

WWWW: Wavelength	X: Connector Type	Y: Fiber Type (SMF-28)	Z: Fiber Length
6171 - 1530 - 1561 Pass/1571 - 1605 Reflect	1 - FC/UPC	B - 250 μ m bare fiber	1 - 1.0 m
7161 - 1530 - 1561 Reflect/1571 - 1605 Pass	2 - FC/APC	L - 900 μ m loose tube	S - Specify
SSSS - Specify	3 - SC/UPC	S - Specify	
	4 - SC/APC		
	N - None		
	S - Specify		