

## Coarse Wavelength Division Multiplexers (DL-CWDM-WW-X-Y-Z)

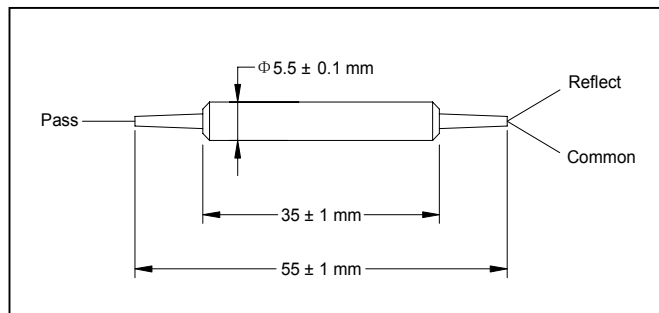
The Coarse Wavelength Division Multiplexer series uses environmentally stable thin film filter and advanced packaging technology to achieve wide passband, low insertion loss, high channel isolation and excellent environmental stability. They can be used individually to perform single channel add or drop function or can be cascaded into sequence for multi-channel applications in CWDM systems.

### A. Specifications

Parameter	Value	Unit
Center Wavelength	1470 1490 1510 1530 1550 1570 1590 1610	nm
Min. 0.5 dB Pass Bandwidth	13	nm
Max. Transmission Insertion Loss	0.6	dB
Max. Reflection Insertion Loss	0.5	dB
Min. Adjacent Ch. Isolation	25	dB
Min. Return Loss	50	dB
Max. Polarization Dependent Loss	0.1	dB
Thermal Stability	0.005	dB/°C
Max. Optical Power (Continuous Wave)	300	mW
Operating Temperature	-5 to +70	°C
Storage Temperature	-40 to +85	°C

\*IL is 0.3 dB higher, RL is 5 dB lower for each connector added.

### B. Package Dimensions



### C. Ordering Information

#### DL-CWDM-WW-X-Y-Z

WW: Center Wavelength	X: Connector Type	Y: Fiber Type (SMF-28)	Z: Fiber Length
47 - 1470 nm	1 - FC/UPC	B - 250 μm bare fiber	1 - 1.0 m
49 - 1490 nm	2 - FC/APC	L - 900 μm loose tube	S - Specify
50 - 1510 nm	3 - SC/UPC	S - Specify	
53 - 1530 nm	4 - SC/APC		
55 - 1550 nm	N - None		
57 - 1570 nm	S - Specify		
59 - 1590 nm			
61 - 1610 nm			
SS - Specify			