

## Coarse Wavelength Division Multiplexers (DL-CWDMA-WW-X-Y-Z)

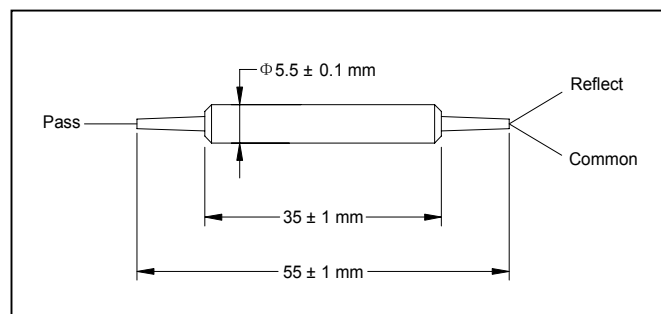
The Coarse Wavelength Division Multiplexer series uses environmentally stable thin film filter and advanced packaging technology to achieve wide passband, low insertion loss, high channel isolation and excellent environmental stability. They can be used individually to perform single channel add or drop function or can be cascaded into sequence for multi-channel applications in CWDM systems.

### A. Specifications

Parameter	Value	Unit
Center Wavelength	1471 1491 1511 1531 1551 1571 1591 1611	nm
Min. 0.5 dB Pass Bandwidth	13	nm
Max. Transmission Insertion Loss	0.6	dB
Max. Reflection Insertion Loss	0.5	dB
Min. Adjacent Ch. Isolation	25	dB
Min. Return Loss	50	dB
Max. Polarization Dependent Loss	0.1	dB
Thermal Stability	0.005	dB/°C
Max. Optical Power (Continuous Wave)	300	mW
Operating Temperature	-5 to +70	°C
Storage Temperature	-40 to +85	°C

\*IL is 0.3 dB higher, RL is 5 dB lower for each connector added.

### B. Package Dimensions



### C. Ordering Information

#### DL-CWDMA-WW-X-Y-Z

WW: Center Wavelength	X: Connector Type	Y: Fiber Type	Z: Fiber Length
47 - 1471 nm	1 - FC/UPC	B - 250 μm bare fiber	1 - 1.0 m
49 - 1491 nm	2 - FC/APC	L - 900 μm loose tube	S - Specify
51 - 1511 nm	3 - SC/UPC	S - Specify	
53 - 1531 nm	4 - SC/APC		
55 - 1551 nm	N - None		
57 - 1571 nm	S - Specify		
59 - 1591 nm			
61 - 1611 nm			
SS - Specify			