

Coarse Wavelength Division Multiplexers Module (4 Channels/8 Channels) (DL-CWDM-U-V-W-X-Y-Z)

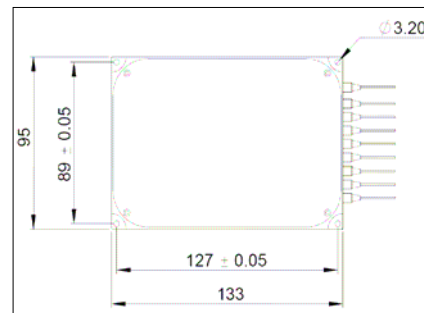
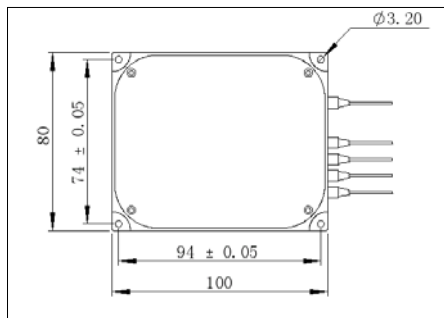
The Coarse WDM Module expands the bandwidth of Metro/Access Networks. The 4 channels and 8 channels CWDM modules are based on Coarse Wavelength Division Multiplexer devices. They can act as MUX/DEMUX with 20 nm channel spacing as well as having low insertion loss, low PDL, high isolation and good thermal stability.

A. Specifications

Parameter	4 Channels	8 Channels	Unit
Center Wavelength	1510, 1530, 1550, 1570	1470, 1490, 1510, 1530 1550, 1570, 1590, 1610	nm
Min. 0.5 dB Pass Bandwidth	13	13	nm
Max. Insertion Loss	2.0	3.5	dB
Min. Adjacent Ch. Isolation (Mux)	N/A	N/A	dB
Min. Adjacent Ch. Isolation (Demux)	25	25	dB
Min. Return Loss	50	50	dB
Directivity	55	55	dB
Max. Polarization Dependent Loss	0.1	0.1	dB
Max. Polarization Mode Dispersion	0.2	0.2	ps
Thermal Stability	0.005	0.005	dB/°C
Operating Temperature	-5 to +70	-5 to +70	°C
Storage Temperature	-40 to +85	-40 to +85	°C
Package Dimensions	100 × 80 × 9.5	133 × 95 × 9.5	mm

*IL is 0.3 dB higher, RL is 5 dB lower for each connector added.

B. Package Dimensions



C. Ordering Information

DL-CWDM-U-V-W-X-Y-Z

U: Module Type	W: Wavelength	X: Connector Type	Y: Fiber Type (SMF-28)
M - MUX	1 - 1510 nm, 1530 nm, 1550 nm, 1570 nm	1 - FC/UPC	B - 250 μm bare fiber
D - DEMUX	2 - 1470 nm, 1490 nm, 1590 nm, 1610 nm	2 - FC/APC	L - 900 μm loose tube
	3 - 1470 nm, 1490 nm, 1510 nm, 1530 nm	3 - SC/UPC	C - 3 mm cable
V: Number of Channels	4 - 1510 nm, 1530 nm, 1590 nm, 1610 nm	4 - SC/APC	S - Specify
4 - 4 channels	5 - 1470 nm, 1490 nm, 1510 nm, 1530 nm	N - None	
8 - 8 channels	1550 nm, 1570 nm, 1590 nm, 1610 nm	S - Specify	Z: Fiber Length
			H - 0.5 m