

## Coarse Wavelength Division Multiplexers Module (4 Channels/8 Channels) (DL-CWDMMA-U-V-W-X-Y-Z)

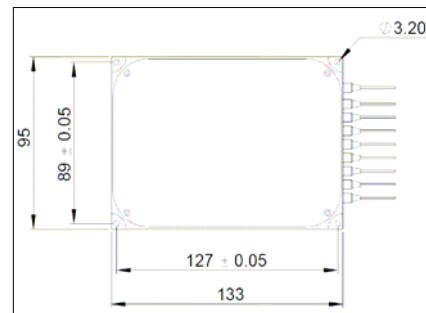
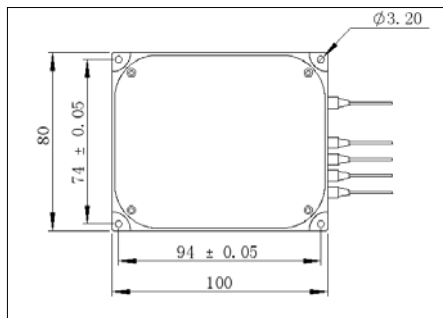
The Coarse WDM Module expands the bandwidth of Metro/Access Networks. The 4 channels and 8 channels CWDM modules are based on Coarse Wavelength Division Multiplexer devices. They can act as MUX/DEMUX with 20 nm channel spacing as well as having low insertion loss, low PDL, high isolation and good thermal stability.

### A. Specifications

Parameter	4 Channels	8 Channels	Unit
Center Wavelength	1511, 1531, 1551, 1571	1471, 1491, 1511, 1531 1551, 1571, 1591, 1611	nm
Min. 0.5 dB Pass Bandwidth	13	13	nm
Max. Insertion Loss	2.0	3.5	dB
Min. Adjacent Ch. Isolation (Mux)	N/A	N/A	dB
Min. Adjacent Ch. Isolation (Demux)	25	25	dB
Min. Return Loss	50	50	dB
Directivity	55	55	dB
Max. Polarization Dependent Loss	0.1	0.1	dB
Max. Polarization Mode Dispersion	0.2	0.2	ps
Thermal Stability	0.005	0.005	dB/°C
Operating Temperature	-5 to +70	-5 to +70	°C
Storage Temperature	-40 to +85	-40 to +85	°C
Package Dimensions	100 × 80 × 9.5	133 × 95 × 9.5	mm

\*IL is 0.3 dB higher, RL is 5 dB lower for each connector added.

### B. Package Dimensions



### C. Ordering Information

#### DL-CWDMMA-U-V-W-X-Y-Z

U: Module Type	W: Wavelength	X: Connector Type	Y: Fiber Type (SMF-28)
M - MUX	1 - 1511 nm, 1531 nm, 1551 nm, 1571 nm	1 - FC/UPC	B - 250 μm bare fiber
D - DEMUX	2 - 1471 nm, 1491 nm, 1591 nm, 1611 nm	2 - FC/APC	L - 900 μm loose tube
	3 - 1471 nm, 1491 nm, 1511 nm, 1531 nm	3 - SC/UPC	C - 3 mm cable
V: Number of Channels	4 - 1511 nm, 1531 nm, 1591 nm, 1611 nm	4 - SC/APC	S - Specify
4 - 4 channels	5 - 1471 nm, 1491 nm, 1511 nm, 1531 nm	N - None	Z: Fiber Length
8 - 8 channels	1551 nm, 1571 nm, 1591 nm, 1611 nm	S - Specify	H - 0.5 m