

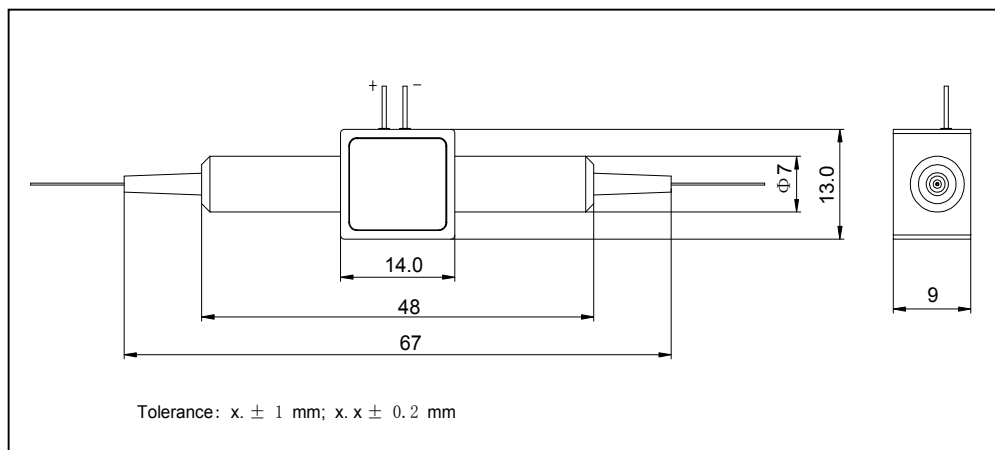
1064 nm High Power Polarization Insensitive Isolator for Pulse Application (DL-HI1-UU-V-W-X-Y-Z-P)

The 1064 nm High Power Polarization Insensitive Isolator has low insertion loss, high isolation, high power handling, high return loss, excellent environmental stability and reliability. It is ideal for fiber laser and instrumentation applications.

A. Specifications

Parameter	Grade P	Grade A	Unit
Center Wavelength (λ_c)	1064 nm or specify		nm
Max. Polarization Dependent Loss	0.1	0.15	dB
Typ. Peak Isolation	35	33	dB
Min. Isolation, λ_c , 23 °C, all polarization states	30	28	dB
Max. Insertion Loss, 23 °C	1.6	1.9	dB
Min. Return Loss (Input/Output)	50/50	45/45	dB
Max. Average Optical Power	1		W
Max. Peak Power for ns pulse	10		kW
Operating Temperature	0 to +50		°C
Storage Temperature	-20 to +75		°C

B. Package Dimensions



C. Ordering Information

DL-HI1-UU-V-W-X-Y-Z-P

UU: Wavelength	V: Grade	W: Connector Type	X: Fiber Type (HI 1060 fiber)
Z - 1064 nm	P - Premium	N - None	B - 250 μ m bare fiber
SS - Specify	A - A grade		L - 900 μ m loose tube
			S - Specify
			Y: Fiber Length
			1 - 1.0 m
			S - Specify