

Isolator/Filter Wavelength Division Multiplexer Hybrid 980/1550 nm (DL-IWDM-98-U-V-W-X-Y-Z)

The 980/1550 IWDM series combines Filter WDM and isolator into a compact package to offer cost saving solution. It is ideal for fiber amplifier application to combine signal and pump wavelengths with very stable 1550 nm signal isolation. It is designed according to Telcordia standard and capable of high power handling.

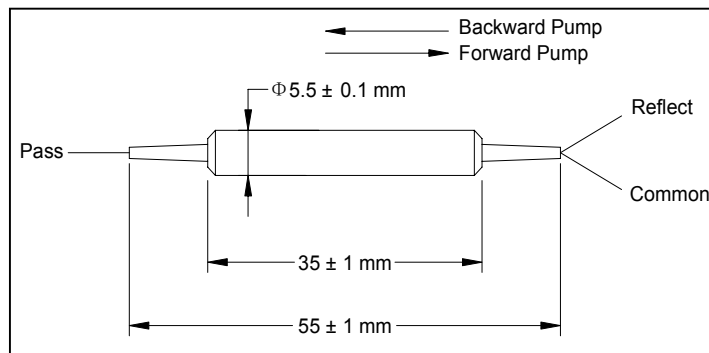
A. Specifications

| Parameter | | Single Stage | Dual Stage | Unit |
|--------------------------------------|--|-------------------|------------|------|
| Pass Band | Signal Wavelength Range | 1530 - 1580 | | nm |
| | Max. Insertion Loss | 0.8 | 1.0 | dB |
| | Typ. Peak of Signal Isolation | 40 | 55 | dB |
| | Min. Signal Isolation (1550 ± 10 nm for single stage, 1550 ± 30 nm for dual stage, at 23 °C) | 30 | 45 | dB |
| | Max. Polarization Dependent Loss | 0.1 | 0.15 | dB |
| | Max. Polarization Mode Dispersion | 0.25 ¹ | 0.05 | ps |
| Reflection Band | Wavelength Range | 950 - 1010 | | nm |
| | Max. Insertion Loss | 0.5 | | dB |
| | Max. Polarization Dependent Loss | 0.1 | | dB |
| Min. Return Loss | | 50 | dB | |
| Thermal Stability | | 0.005 | dB/°C | |
| Max. Optical Power (Continuous Wave) | | 300 | mW | |
| Operating Temperature | | -5 to +70 | | °C |
| Storage Temperature | | -40 to +85 | | °C |

¹ Low PMD version is available. PMD < 0.05 ps

*IL is 0.3 dB higher, RL is 5 dB lower for each connector added.

B. Package Dimensions



C. Ordering Information

DL-IWDM-98-U-V-W-X-Y-Z

| | | | | |
|-------------------|-------------------------|-------------------|-----------------------|-----------------|
| U: Pump Type | W: PMD | X: Connector Type | Y: Fiber Type(SMF-28) | Z: Fiber Length |
| 1 - Forward pump | 1 - 0.05 ps max | 1 - FC/UPC | B - 250 μm bare fiber | 1 - 1.0 m |
| 2 - Backward pump | 2 - Refer to above spec | 2 - FC/APC | L - 900 μm loose tube | S - Specify |
| | | 3 - SC/UPC | S - Specify | |
| V: Stage Type | | 4 - SC/APC | | |
| 1 - Single stage | | N - None | | |
| 2 - Dual stage | | S - Specify | | |

Remark: SMF-28 is used for Pass Port and HI 1060 is used for Reflection and Common port.