

Isolator/Filter Wavelength Division Multiplexer Hybrid 1310/1550 or 1480/1550 (DL-IWDM-T-U-V-W-X-Y-Z)

The 1310/1550, 1480/1550 IWDM series combines Filter WDM and isolator into a compact package to offer cost saving solution. It is ideal to be used in 1310/1550 WDM network and line monitoring applications to combine two signal wavelengths and eliminate back reflection. This 1480/1550 device is ideal for fiber amplifier application to combine signal and pump wavelengths with very stable 1550 nm signal isolation. They are designed and manufactured according to Telcordia standard and capable of high power handling.

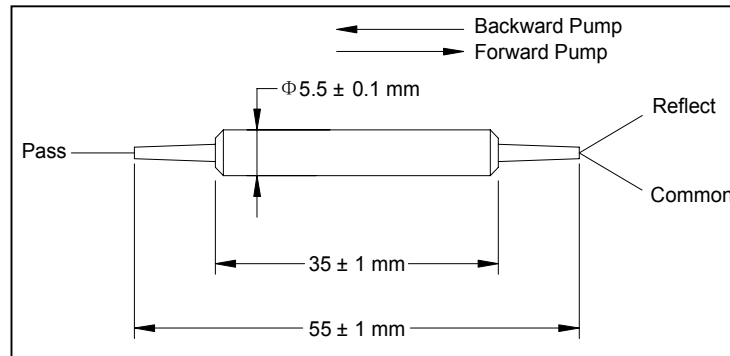
A. Specifications

Parameter		Single Stage	Dual Stage	Unit
Pass Band	Signal Wavelength Range	1530 - 1580		nm
	Max. Insertion Loss	0.8	1.0	dB
	Typ. Peak of Signal Isolation	40	55	dB
	Min. Signal Isolation (1550 ± 10 nm for Single Stage, 1550 ± 30 nm for Dual Stage, at 23 °C)	30	45	dB
	Max. Polarization Dependent Loss	0.1	0.15	dB
	Max. Polarization Mode Dispersion	0.25 ¹	0.05	ps
Reflection Band	Wavelength Range	1270 - 1350 or 1450 - 1490		nm
	Max. Insertion Loss	0.5		dB
	Max. Polarization Dependent Loss	0.1		dB
Min. Return Loss		50	dB	
Thermal Stability		0.005	dB/°C	
Max. Optical Power		300	mW	
Operating Temperature		-5 to +70	°C	
Storage Temperature		-40 to +85	°C	

¹ Low PMD version is available. PMD < 0.05 ps

*IL is 0.3 dB higher, RL is 5 dB lower, and ER is 2 dB lower for each connector added.

B. Package Dimensions



C. Ordering Information

DL-IWDM-T-U-V-W-X-Y-Z

T: Pump Type	V: PMD	W: Connector Type	X: Fiber Type (SMF-28)	Y: Fiber Length
1 - Forward pump	1 - 0.05 ps max	1 - FC/UPC	B - 250 μm bare fiber	1 - 1.0 m
2 - Backward pump	2 - Refer to above spec	2 - FC/APC	L - 900 μm loose tube	S - Specify
		3 - SC/UPC	S - Specify	
U: Stage Type		4 - SC/APC		Z: Wavelength
1 - Single stage		N - None		1 - 31
2 - Dual stage		S - Specify		2 - 48