

## Mini 2 in 1 Polarization Insensitive Isolator (DL-MTPI-T-UU-V-W-X-Y-Z)

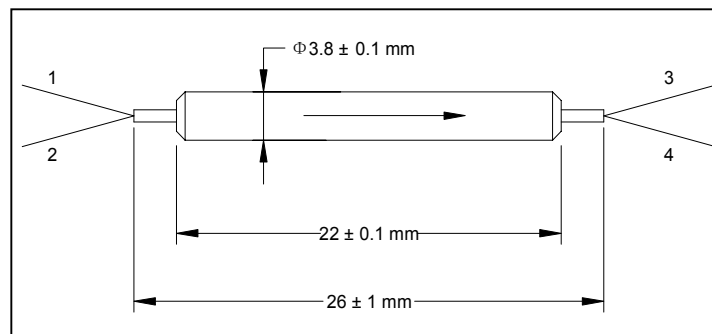
The Twin Isolator is made up of two independent isolators (one standard package). It is ideal for EDFAs or instrumentation designs where two or more isolators are used. The Twin Isolator offers excellent temperature stability, low insertion loss, high isolation, low temperature dependence and great space saving.

### A. Specifications

Parameter	Dual Stage		Unit
	Grade P	Grade A	
Center Wavelength ( $\lambda_c$ )	1550		nm
Typ. Peak Isolation( Port 4 to Port 1, Port 3 to Port 2)	52	50	dB
Min. Isolation (Port 4 to Port 1, Port 3 to Port 2), $\lambda_c \pm 15$ nm, 23 °C, all polarization	40	38	dB
Typ. Insertion Loss (Port 1 to Port 4, Port 2 to Port 3), $\lambda_c$ , 23 °C, all polarization	0.6	0.75	dB
Max. Insertion Loss (Port 1 to Port 4, Port 2 to Port 3), $\lambda_c \pm 20$ nm, all polarization	0.9	1.0	dB
Min. Return Loss (Input/Output)	55/55	55 / 55	dB
Directivity (Port 1 to Port 2, Port 3 to Port 4), $\lambda_c$ , 23 °C	55	55	dB
Min. Crosstalk ( Port 1 to Port 3, Port 2 to Port 4), $\lambda_c$ , 23 °C	50	50	dB
Max. Polarization Dependent Loss, $\lambda_c$ , 23 °C	0.1	0.2	dB
Max. Polarization Mode Dispersion	0.07	0.1	ps
Max. Optical Power (Continuous Wave)	300		mW
Operating Temperature	-5 to +70		°C
Storage Temperature	-40 to +85		°C

\*IL is 0.3 dB higher and RL is 5 dB lower for each connector added.

### B. Package Dimensions



### C. Ordering Information

#### DL-MTPI-T-UU-V-W-X-Y-Z

T: Stage	V: Grade	X: Connector Type	Y: Fiber Type	Z: Fiber Length
2- Dual stage	P - Premium	1 - FC/UPC	B - 250um bare fiber	1 - 1 m
	A - A grade	2 - FC/APC	S - Specify	S - Specify
		3 - SC/UPC		
UU: Wavelength	W: PMD	4 - SC/APC		
55 - 1550 nm	2 - Refer to above spec	N - None		
SS - Specify		S - Specify		