

Multimode Fiber Collimator (DL-MMC-Q-R-S-T-U-V-W-X-Y-Z)

The Multimode Fiber Collimator is needed for manufacturing in-line fiber optic components, such as isolator and FWDM. It has low insertion loss and high return loss. Special processing and high quality AR coating also enable this collimator to handle high power.

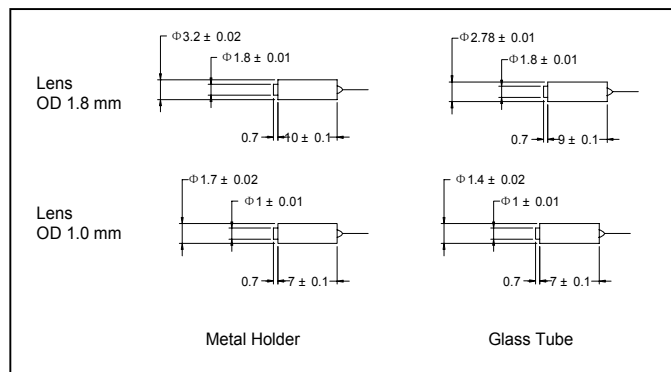
A. Specifications

Parameter	Value	Unit
Center Wavelength (λ_c)	1310, 1550 or specify	nm
Operating Wavelength Range	$\lambda_c \pm 30$	nm
Working Distance	5 or specify	mm
Max. Insertion Loss	0.25	dB
Min. Return Loss	35	dB
Operating Temperature	-5 to +70	°C
Storage Temperature	-40 to +85	°C

*IL is 0.3 dB higher for each connector added.

*Above specifications are measured at low order modes.

B. Package Dimensions



C. Ordering Information

DL-MMC-Q-R-S-T-U-V-W-X-Y-Z

Q: Lens Diameter 1 - 1.8 mm 2 - 1.0 mm S - Specify	R: Pigtail Type 1 - Single fiber pigtail 2 - Dual fiber pigtail S - Specify	S: Wavelength 31 - 1310 nm 55 - 1550 nm SS - Specify	T: Package Dimensions 1 - Metal holder 2 - Glass tube	U: Working Distance 1 - 5 mm S - Specify
V: Connector Type 1 - FC/PC 2 - FC/APC 3 - SC/PC 4 - SC/APC N - None S - Specify	W: Fiber Type B - 250 μ m bare fiber L - 900 μ m loose tube S - Specify	X: Fiber Length F - 1.5 m S - Specify	Y: Lens Type G - Grin lens C - C lens	Z: Fiber Core 1 - 105/125 μ m 2 - 62.5/125 μ m 3 - 50/125 μ m S - Specify