

## Multimode Patchcord (DL-MMP-V-W-XX-Y-Z)

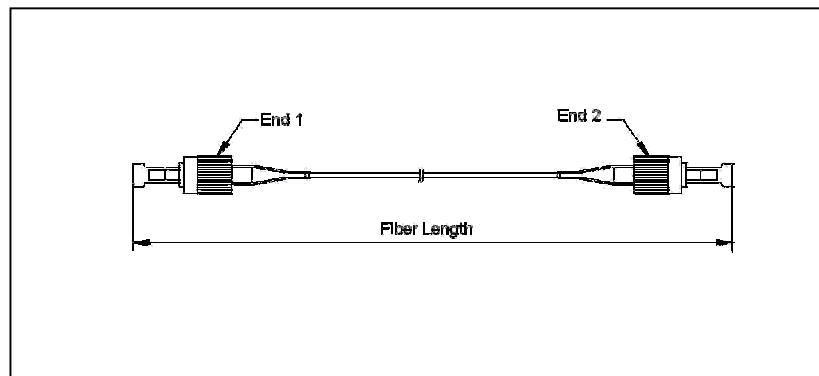
The Multimode Patchcord series has excellent environmental stability, high return loss and low insertion loss. It is ideal for multimode fiber lasers and test instrumentation applications.

### A. Specifications

Parameter	Value	Unit
Operating Wavelength	980, 1310, 1550 or specify	nm
Max. Insertion Loss	0.30	dB
Fiber Length Tolerance	± 10 or specify	%
Operating Temperature	-5 to +70	°C
Storage Temperature	-40 to +85	°C

\* IL is 0.1 dB higher for short wavelength.

### B. Package Dimensions



### C. Ordering Information

#### DL-MMP-V-W-XX-Y-Z

V: Fiber Core	W: Key Width (for FC type)	XX: Connector Type (End 1/End 2)	Y: Fiber Type
1 - 105 μm	R - 2.02 mm	1 - FC/UPC	B - 900 μm buffer
2 - 62.5 μm		2 - FC/APC	C - 3 mm cable
3 - 50 μm		3 - SC/UPC	S - Specify
S - Specify		4 - SC/APC	
		S - Specify	Z: Fiber Length
			1 - 1.0 m
			S - Specify