

Polarization Maintaining Fiber Connector/Patchcord (DL-PMP-UU-V-WW-X-Y-Z)

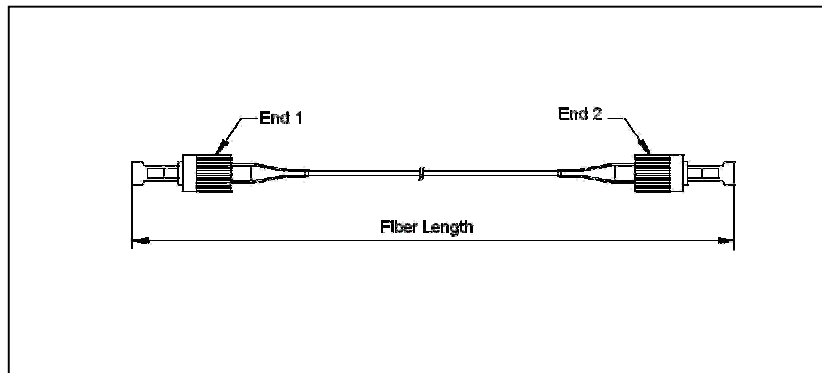
The PM Patchcord series has excellent environmental stability, high return loss, low insertion loss. It is ideal for PM amplifiers, fiber lasers and test instrumentation applications.

A. Specifications

Parameter	Value		Unit
Connector Type	UPC	APC	
Wavelength	980, 1060, 1310, 1480 or 1550		nm
Max. Insertion Loss	0.50		dB
Min. Return Loss	50	60	dB
Min. Extinction Ratio	23		dB
Max. Optical Power (Continuous Wave)	300		mW
Operating Temperature	-5 to +70		°C
Storage Temperature	-40 to +85		°C
Fiber Length Tolerance	± 10 or specify		%

* IL is 0.1 dB higher for short wavelength. Connector key is aligned to slow axis.

B. Package Dimensions



C. Ordering Information

DL-PMP-UU-V-WW-X-Y-Z

UU: Wavelength

98 - 980 nm

06 - 1060 nm

31 - 1310 nm

48 - 1480 nm

55 - 1550 nm

SS - Specify

WW: Connector Type (for End 1 and 2)

1 - FC/UPC

2 - FC/APC

3 - SC/UPC

4 - SC/APC

S - Specify

X: Buffer Type

L - 900 μm loose tube

C - 3 mm cable

S - Specify

V: Key Width (for FC type)

R - 2.02 mm

Y: Fiber Length

1 - 1.0 m

S - Specify

Z: Fiber Type

P - PM Panda fiber

S - Specify