

Polarization Maintaining Tap Coupler (DL-PMTC-SS-T-UU-V-W-X-Y-Z)

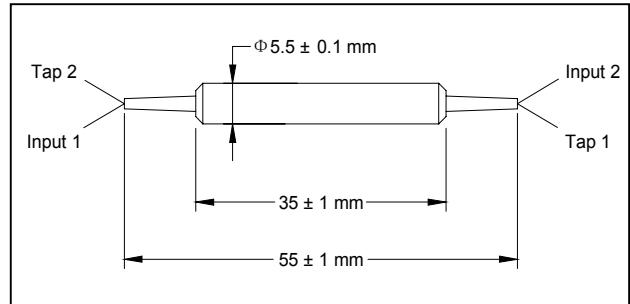
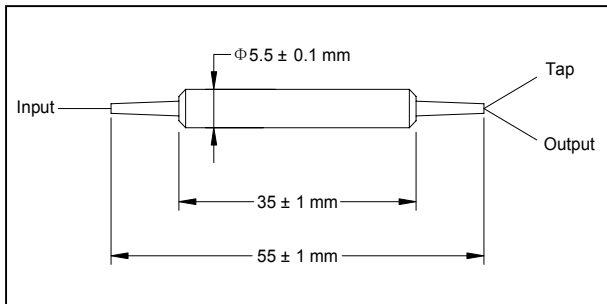
The PMTC Series splits the input signal at various ratios with high extinction ratio. This component has high isolation, low insertion loss, high extinction ratio, and excellent environment stability.

A. Specifications

Parameter	Value		Unit
Center Wavelength	1310 or 1550		nm
Operating Wavelength Range	$\lambda_c \pm 40$		nm
Configuration	1 × 2	2 × 2	
Max. Excess Loss	0.7	1.1	dB
Max. Uniformity (only for 50%)	0.6	0.8	dB
Tap Ratio	1 ± 0.2%, 2 ± 0.4%, 4 ± 0.8%, 5 ± 1.0%, 10%, 20% and 50%		%
Min. Return Loss	50		dB
Min. Extinction Ratio	20	20	dB
Max. Optical Power (Continuous Wave)	300		mW
Operating Temperature	-5 to +70		°C
Storage Temperature	-40 to +85		°C

*IL is 0.3 dB higher, RL is 5 dB lower, and ER is 2 dB lower for each connector added. Connector key is aligned to slow axis.

B. Package Dimensions



C. Ordering Information

DL-PMTC-SS-T-UU-V-W-X-Y-Z

SS: Wavelength	UU: Coupling Ratio	V: Connector Type	X: Fiber Type for Tap Port
31 - 1310 nm	01 - 1/99	1 - FC/UPC 4 - SC/APC	M - SMF-28
55 - 1550 nm	02 - 2/98	2 - FC/APC N - None	P - Panda fiber
SS - Specify	04 - 4/96	3 - SC/UPC	S - Specify
	05 - 5/95		
T: Configuration	10 - 10/90	W: Fiber Type	Y: Fiber Length
1 - 1 × 2	20 - 20/80	B - 250 μm Panda fiber	Q - 0.75 m
2 - 2 × 2	50 - 50/50	L - 900 μm loose tube	S - Specify
	SS - Specify	S - Specify	Z: Working Axis
			F - Fast axis blocked