



## 1650 nm FP

The DL-FPL65050T-A & DL-FPL65110P are an InGaAsP based Fabry-Perot laser series which come in either a TO-56 package, with an aspherical lens or a TO pig-tail.

These devices have been optimized for telecommunication test & measurements applications.

DenseLight's FP chips are grown in our own wafer fabrication facility in Singapore.



### APPLICATIONS

**OTDR**  
**Biomedical Sensing**

### PRODUCT OFFERING

Part No	$\lambda$ nm	Po (mW)	Pkg
DL-FPL650110T-A	1650	110*	TO
DL-FPL65050P	1650	50*	TO-P

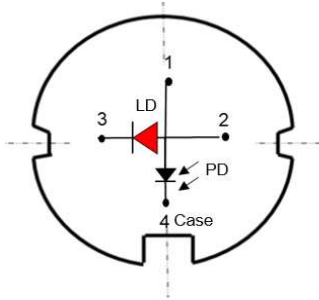
\* Pulsed: 10uS, 1% duty Cycle

DenseLight has capability to do other wavelengths. Please contact your local sales or write to [sales@denselight.com](mailto:sales@denselight.com) for information

### FEATURES & PERFORMANCE

- Uncooled 1650nm FP laser
- Operating temperature from 0C to 60C
- Optical output min. 50mW pulsed
- Slope efficiency typ. 0.09mW/A @ 25C

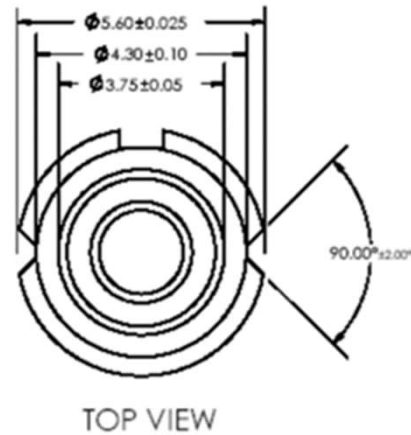
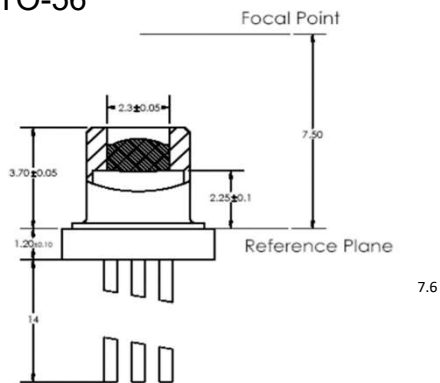
## PRODUCT OFFERINGS



Pin Assignment	Description
1	PD Anode
2	LD Anode
3	LD Cathode
4	PD Cathode, Case

## PHYSICAL & MECHANICAL SPECIFICATION

### A. TO-56



### B. TO-Pig Tail

